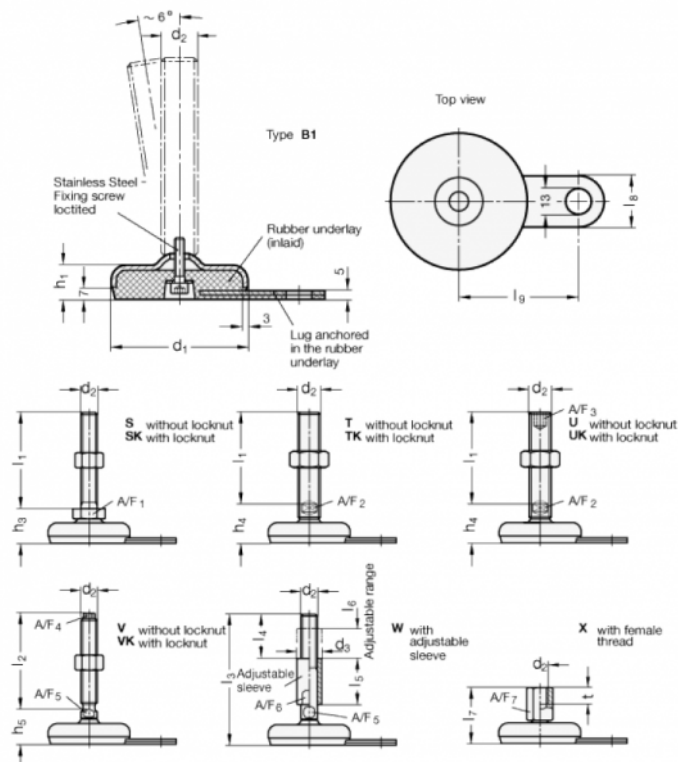


Article number: 203350M1043B1X
 Description: E+G levelling foot
 GN 33-50-M10-43-B1-X, Stainless steel
 Note: X With female thread, External hexagon

Measures



- A/F7 = 14
- d1 = 50
- d2 = M10
- h1 = 18
- l7 = 43
- l8 = 25
- l9 = 45
- t = 10